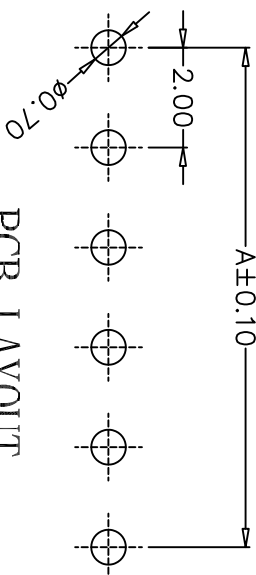
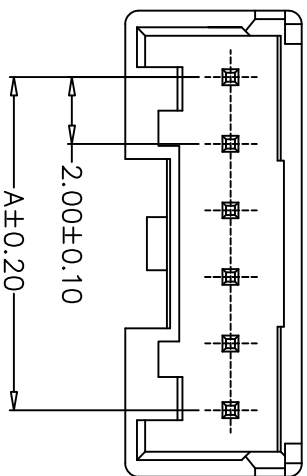
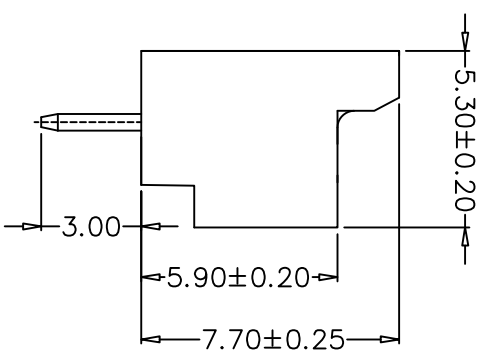
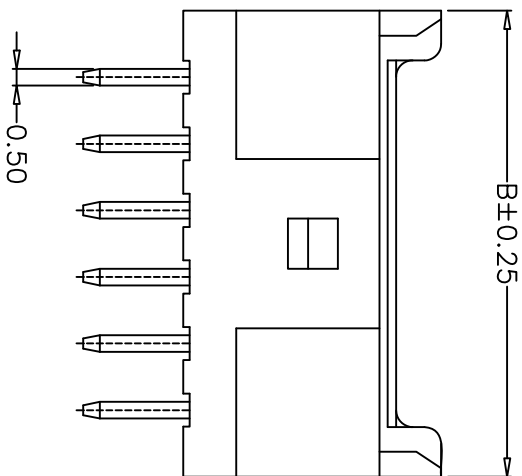
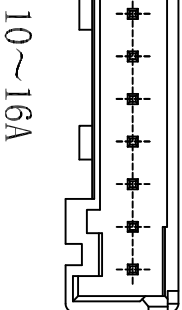
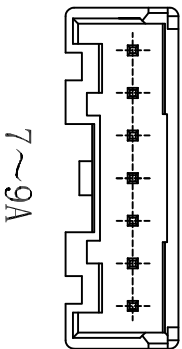


ROHS



PCB LAYOUT



7~9A

10~16A

- SPECIFICATIONS
- 1、Current Rating: 3A AC, DC
  - 2、Voltage Rating: 100V AC, DC
  - 3、Temperature Range: -25°C~+85°C
  - 4、Contact Resistance: 20mΩ Max
  - 5、Insulation Resistance: 1000MΩ Min
  - 6、Withstanding Voltage: 800V AC/minute
  - 7、Material: Wafer PA66, UL94V-0  
PIN Brass Tin-plated

编 号	尺寸 (mm)	
	A	B
A2026-02A	2.00	8.00
A2026-03A	4.00	10.00
A2026-04A	6.00	12.00
A2026-05A	8.00	14.00
A2026-06A	10.00	16.00
A2026-07A	12.00	18.00
A2026-08A	14.00	20.00
A2026-09A	16.00	22.00
A2026-10A	18.00	24.00
A2026-11A	20.00	26.00
A2026-12A	22.00	28.00
A2026-16A	30.00	36.00



X. ±0.5	X. ±
.X ±0.30	X. ±
.XX ±0.20	.XX ±
.XXX ±0.005	.XXX ±

单位 UNIT	mm
比例 SCALE	
核准: APPROVED BY	
审核: CHECKED BY	
制图: DRAWN BY	
版本: VERSION	2022.9.5
封文标题	
日期:	

深圳市泰华电子有限公司  
**TaiHua Electronics Co., Ltd**

PA直封 WAFER DIP TYPE

产品名称  
Product name

产品编号  
Product No

